

WORKTOP CONNECTOR "FIX-A-LOT"

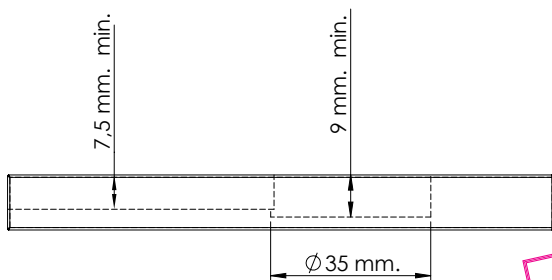
- high quality furniture fittings



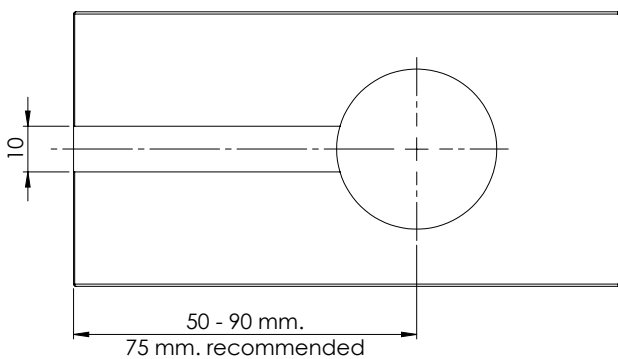
The Fix-A-Lot connector is a new practical and innovative solution that saves time and money in assembling work / counter tops and panels. The Fix-A-Lot is a particularly slim type connector, which is perfect for material as thin as 10 mm.

Features:

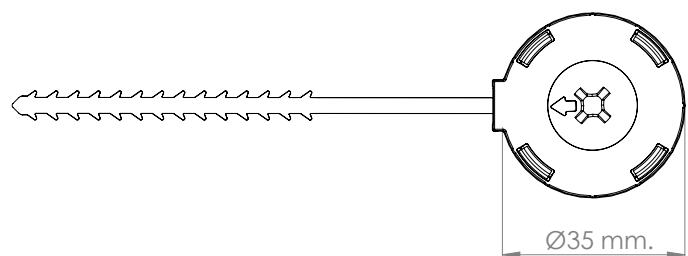
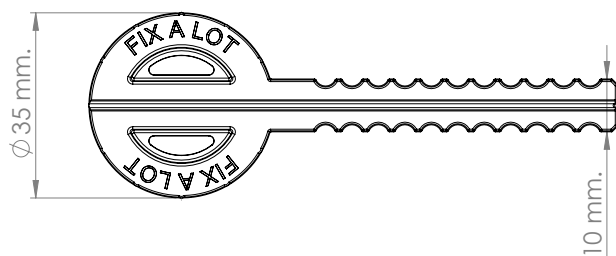
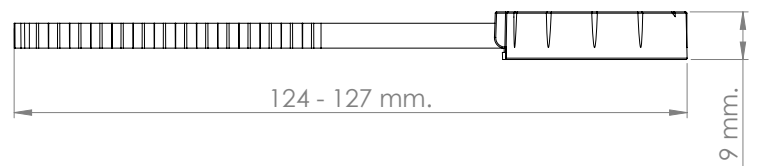
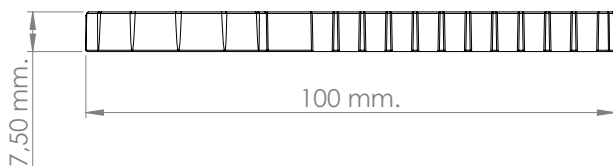
- F/min. 10 mm plates.
- May be inserted into the worktops before placing them in position on the kitchen cabinets.
- The length on the female part may be cut to size in case of wrong milling.
- Two installation ways depending on construction of the kitchen. "Push" if enough space or "Drop" if plates are installed up against a wall or high kitchen cabinet.
- Stays in the milling holes when inserted.
- Easy tightening by use of PH3 screw driver.



PATENTED



Material: POM – Grey
 Size: $\varnothing 35 \times 127 \times 9$ mm
 1 Set = 1 Male + 1 Female Part
 Item No.: # 11.04.470

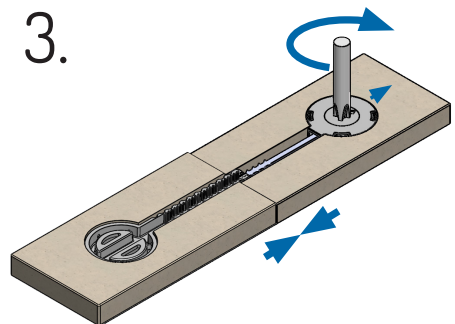
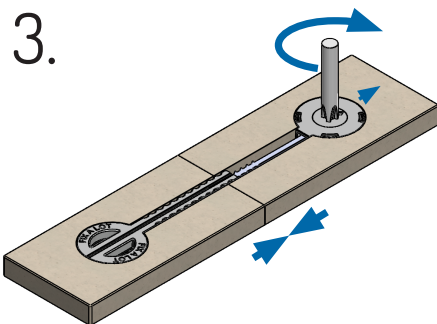
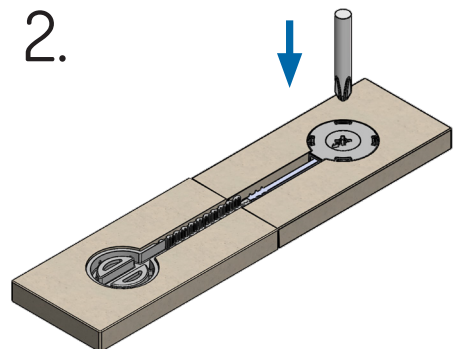
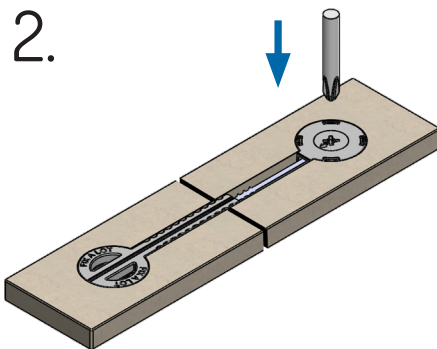
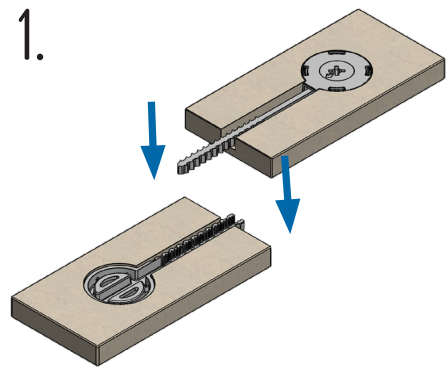
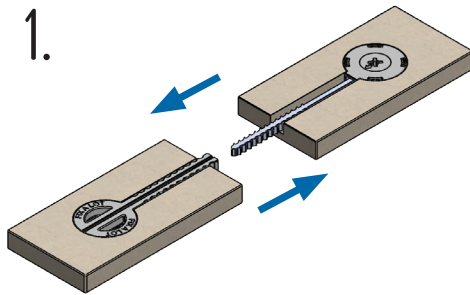


WORKTOP CONNECTOR "FIX-A-LOT"



"PUSH"

"DROP"



SISO A/S