



PLUTO satisfies the growing need for easily accessible mobile device charging in informal areas, with a unique combination of style and function. Perfectly suited to breakout areas, smaller meeting rooms and coffee tables, in offices, hotels, and other public spaces - PLUTO makes sharing power a pleasure.

Infinitely customisable in appearance PLUTO is available from stock in white, black and 8 vibrant satin colours, with other paint and immersion graphics finishes to special order. As well as the perfect colour or pattern to match any interior design scheme, PLUTO can be screen printed with your own or your customer's brand name or logo.

PLUTO can be securely clamped to a standard 80mm desk grommet hole, screwed to any suitable surface, or supplied with side entry power cord and rubber feet for free standing use.

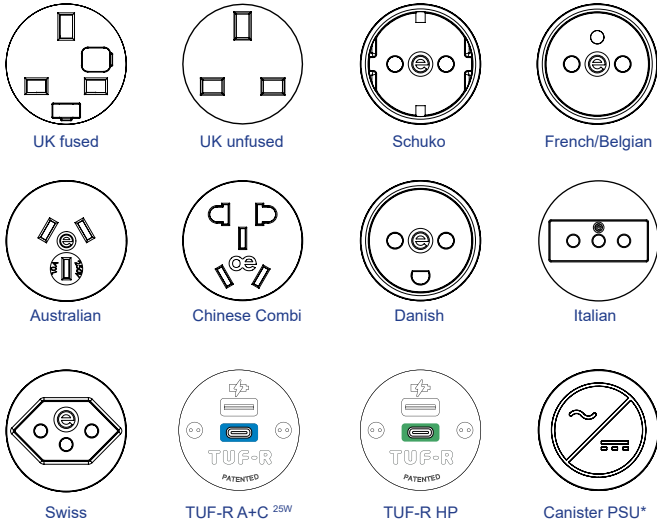


USPs

- 360° socket access
- 25W and 72W "TUF" USB charger options
- Extensive colour, screen print and immersion graphics options
- Fixed or free standing mounting
- Optional Data Cartridge

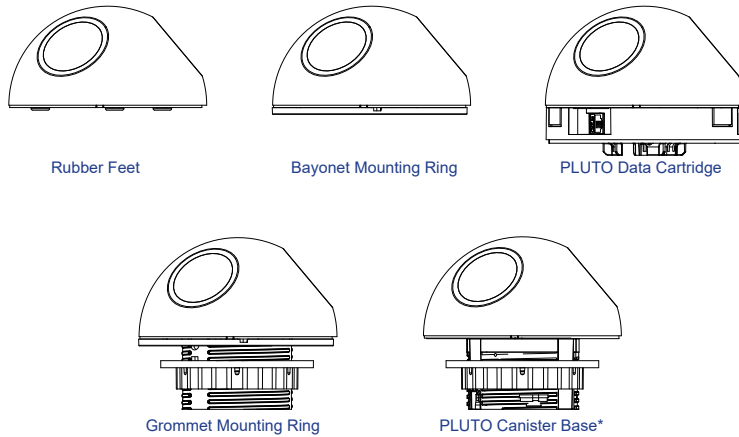
technical

Common Modular Components



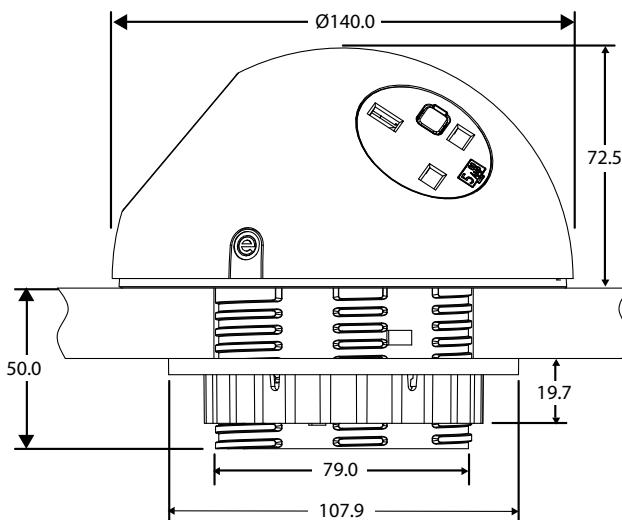
We stock a variety of other modular components. Please enquire for specifics.
 * Blank fascia also available. Canister PSU can be used in socket aperture or in PLUTO Canister Base

Base Options



*PLUTO Canister Base is NOT compatible with PLUTO Data Cartridge

Dimensions



Configuration:

PLUTO's 3 socket apertures may be configured with a combination of:

- AC power sockets
- 25W or 72W USB charging sockets.
- Data, USB, HDMI, VGA & sound

For up to 5 additional Data & AV connections specify the optional Pluto Data Cartridge.

Note: 72W USB charger option may require Canister base.

Construction:

High strength 5VA fire retardant "Lexan 943" polycarbonate enclosure. OE 46mm modular polycarbonate power socket fascias.

Colour options:

PLUTO is supplied as standard in a "polished" white RAL 9003 moulded finish with grey or black sockets. PLUTO can also be ordered in a wide range of painted or immersion transfer printed finishes and with Pad printed logo's.

Earth Bonding:

A 6.3mm spade type earth terminal is fitted as standard in the Pluto base for the attachment of an external earth bonding lead.

Fusing:

To enable compliance to BS6396, UK fused sockets can be specified with 3.15A or 5A anti-surge 5x20mm ceramic fuses.

Quality & Testing:

All PLUTO modules are manufactured using ISO9001 quality controlled components and practices and are 100% tested before despatch.

"We test every pin in every socket in every module"

Power cord:

Base or side entry power cord hardwired to mains AC plug, or male Wieland GST18 connector.

Certifications:

UK - BS5733

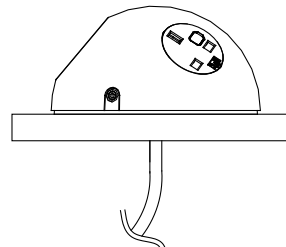
Europe- IEC60884-2-7

USA – UL962A ETL listed

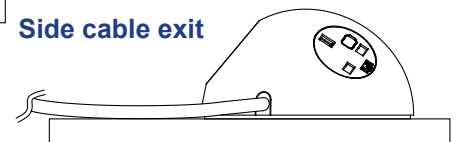
CE/UKCA Marking:

All units built with UK and European socket types are CE and or UKCA marked by OE Electrics

Base cable exit

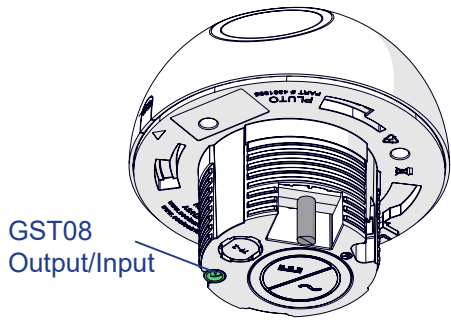


Side cable exit

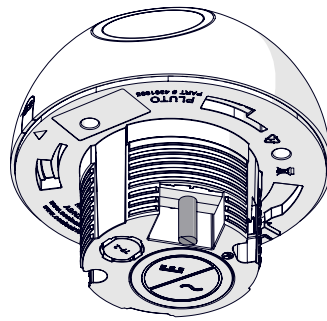


technical

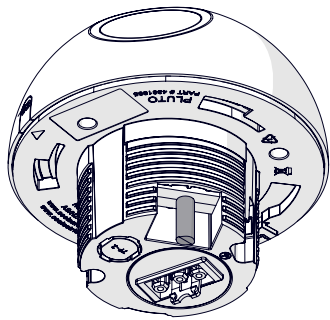
Canister Base* Options



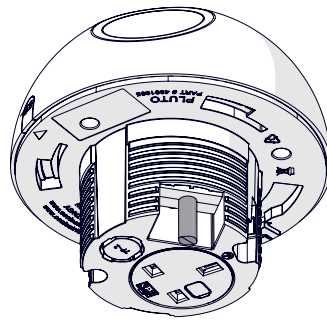
Canister Base with Canister PSU & GST08 Output/Input



Canister Base with Canister PSU

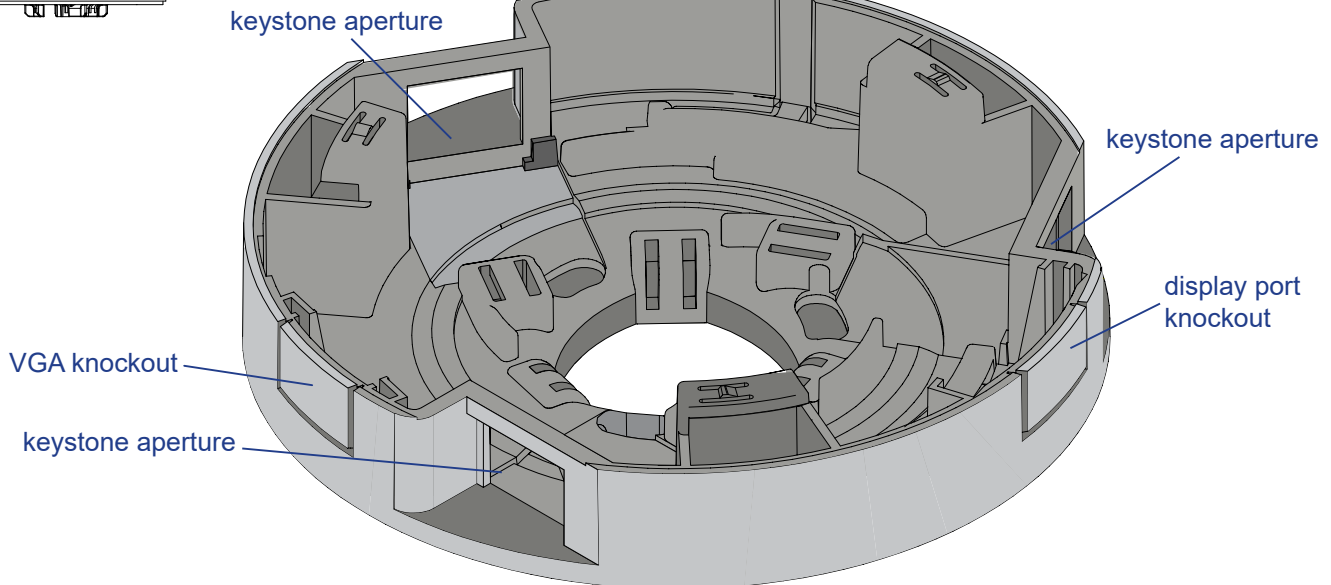
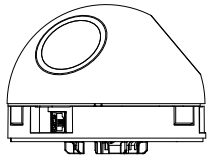


Canister Base with GST18 Output



Canister Base with UK Fused socket
(other AC sockets available, see common modular components on previous page)

Data Cartridge* Options



*PLUTO Data Cartridge is NOT compatible with PLUTO Canister Base